

|                                  |     |     |     |     |     |     |     |                |                |                |                |                |                |                |                |     |     |     |     |     |     |     |     |           |   |
|----------------------------------|-----|-----|-----|-----|-----|-----|-----|----------------|----------------|----------------|----------------|----------------|----------------|----------------|----------------|-----|-----|-----|-----|-----|-----|-----|-----|-----------|---|
| Produkt-Nr. :<br>826 ... End-Nr. |     | 1   | 2   | 3   | 4   | 5   | 6   | 7              | 8              | 9              | 0              | .              |                |                | 5              | /   | +   | -   | ×   | ÷   | =   | *   | #   | ◇         |   |
|                                  | 000 | 001 | 002 | 003 | 004 | 005 | 006 | 007            | 008            | 009            | 010            | 011            |                |                | 015            | 016 | 017 | 018 | 019 | 020 | 021 | 022 | 023 | 024       |   |
| Produkt-Nr. :<br>826 ... End-Nr. |     | A   | B   | C   | D   | E   | F   | G              | H              | I              | J              | K              | L              | M              | N              | O   | P   | Q   | R   | S   | T   | U   | V   | W         | X |
|                                  | 051 | 052 | 053 | 054 | 055 | 056 | 057 | 058            | 059            | 060            | 061            | 062            | 063            | 064            | 065            | 066 | 067 | 068 | 069 | 070 | 071 | 072 | 073 | 074       |   |
| Produkt-Nr. :<br>826 ... End-Nr. | Y   | Z   | 🔊   | 🎵   |     | ▶   | ◀   |                |                |                |                |                |                |                | 00             | ↪   | ↩   | ↪↩  | ⏏   | 123 |     |     |     |           |   |
|                                  | 075 | 076 | 078 | 080 |     | 083 | 084 |                |                |                |                |                |                |                | 090            | 092 | 093 | 094 | 095 | 096 |     |     |     |           |   |
| Produkt-Nr. :<br>826 ... End-Nr. |     |     |     |     |     |     |     |                |                |                |                |                |                |                |                |     |     |     |     |     |     |     |     | Oel<br>06 |   |
|                                  |     |     |     |     |     |     |     |                |                |                |                |                |                |                |                |     |     |     |     |     |     |     |     | 124       |   |
| Produkt-Nr. :<br>826 ... End-Nr. |     |     |     |     |     |     |     | M <sub>1</sub> | M <sub>2</sub> | M <sub>3</sub> | M <sub>4</sub> | M <sub>5</sub> | M <sub>6</sub> | M <sub>7</sub> | M <sub>8</sub> |     |     |     |     |     |     |     |     |           |   |
|                                  |     |     |     |     |     |     |     | 132            | 133            | 134            | 135            | 136            | 137            | 138            | 139            |     |     |     |     |     |     |     |     |           |   |
| Produkt-Nr. :<br>826 ... End-Nr. |     |     |     |     |     |     |     | Tab            | Sup<br>Pls     | Sup<br>blf     |                |                | ⊙              | ⌚              |                |     |     |     |     |     | ←   |     |     |           |   |
|                                  |     |     |     |     |     |     |     | 158            | 159            | 160            |                |                | 163            | 165            |                |     |     |     |     |     | 170 |     |     |           |   |
| Produkt-Nr. :<br>826 ... End-Nr. |     | STO | RCL | Δ+  | Δ-  | Δ×  | ENT | Sup            | Ben            |                |                |                |                |                |                |     |     |     |     |     |     |     | CLR | MODE      |   |
|                                  | 176 | 177 | 178 | 179 | 180 | 181 |     | 183            | 184            |                |                |                |                |                |                |     |     |     |     |     |     |     | 198 | 199       |   |

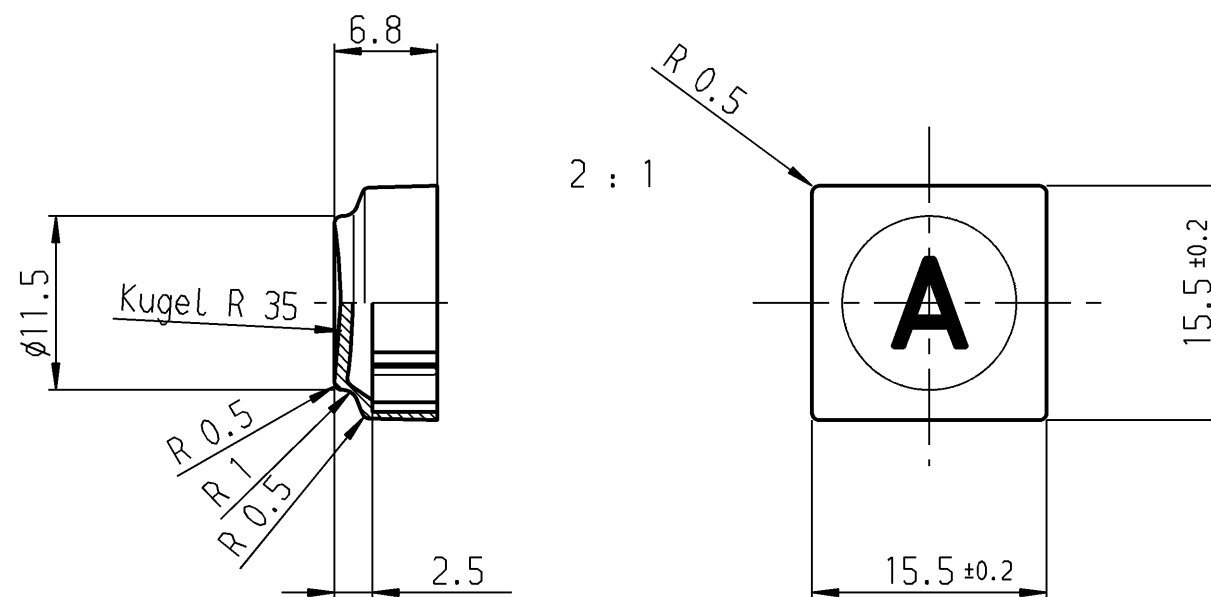
Zeichen entsprechen etwa der Darstellung  
Sign correspond nearly to representation

\* Anmerkung: Die mit ◀ (ohne Zeichen) und ▶ (mit Zeichen) versehenen Ausführungen entsprechen dem Standardprogramm. Alle nicht so gekennzeichneten Zeichen und Farben sind nur auf Anfrage lieferbar! Bei Bestellung von Tastenknöpfen ohne Zeichen bleibt die End-Nr. entsprechend der Tastenknopffarbe dieselbe.

All versions which are marked ▶ (with out sign) and ◀ (with sign) are according to our standard program. All symbols and colours which are not marked in that way are available on request only! In case there are ordered buttons without symbol, the last 3 digits of the number remain unchanged which is in accordance with the number of the button's colour.

For system 6425.  
für Baureihe 6425.

bei Änd. beachte F.Z.



|                    |                        |         |
|--------------------|------------------------|---------|
| green              | grün                   | 091     |
| white              | weiß                   |         |
| yellow             | gelb                   | 081     |
| white              | weiß                   |         |
| red                | rot                    | 071     |
| white              | weiß                   |         |
| beige              | beige                  | 061     |
| white              | weiß                   |         |
| brown              | braun                  | 041     |
| white              | weiß                   |         |
| grey               | grau                   | 031     |
| white              | weiß                   |         |
| darkgrey           | dunkelgrau             | 021     |
| white              | weiß                   |         |
| anthracite         | anthrazit              | 011     |
| white              | weiß                   |         |
| Key button<br>Sign | Tastenknopf<br>Zeichen | End-Nr. |

Schutzvermerk  
nach DIN 34 beachten  
COPYRIGHT RESERVED

|                                                       |                      |                                                                            |                |                |                      |                  |                  |                                          |                                  |                    |  |
|-------------------------------------------------------|----------------------|----------------------------------------------------------------------------|----------------|----------------|----------------------|------------------|------------------|------------------------------------------|----------------------------------|--------------------|--|
| Allgemeintoleranzen/UNTOLERANCED DIMENSIONS           |                      |                                                                            |                | PROJECTION     |                      | Pause<br>COPY    |                  | Blatt<br>SHEET                           |                                  | Zechn./DRAWING NO. |  |
| Für Längen<br>und Radien<br>FOR LENGTHS<br>AND RADII. |                      | Abmaße in mm Für Nennmaßbereich in mm<br>ALL DIMENSIONS ARE IN MILLIMETRES |                |                | ☐                    |                  | Original<br>DIN  |                                          | K 826.000.011                    |                    |  |
| ±                                                     |                      | bis/UP TO                                                                  | über/OVER      |                | ☉                    |                  | Maßstab<br>SCALE |                                          | Key button<br>Tastenknopf<br>1x1 |                    |  |
| ±                                                     |                      | 6                                                                          | 6 bis/UP TO 30 |                | ☉                    |                  | 1:1              |                                          |                                  |                    |  |
| ±                                                     |                      | 0.2                                                                        | 0.4            |                | ☉                    |                  | 0 10 20 30 mm    |                                          |                                  |                    |  |
| n                                                     | 23601                | 17.10.95                                                                   | ws             | i              | 22698                | 09.03.94         | ws               | gez./DRAWN BY 03.10.88 ws                |                                  |                    |  |
| m                                                     | 23507                | 24.08.95                                                                   | ws             | h              | 22499                | 15.10.93         | ws               | gepr./CHECKED BY Sa                      |                                  |                    |  |
| l                                                     | 23371                | 18.05.95                                                                   | ws             | q              |                      |                  |                  | Ersatz für/REPLACEMENT OF                |                                  |                    |  |
| k                                                     | 23303                | 26.04.95                                                                   | RS             | p              | 29900                | 20.06.00         | Mut              | 826 000 011 v.19.03.80                   |                                  |                    |  |
| j                                                     | 23167                | 20.01.95                                                                   | ws             | o              | 29840                | 19.06.00         | Mut              | MARQUARDT                                |                                  |                    |  |
| Ausg.<br>ISSUE                                        | Änderung<br>REVISION | gez.<br>DRAWN BY                                                           |                | Ausg.<br>ISSUE | Änderung<br>REVISION | gez.<br>DRAWN BY |                  | Marquardt GmbH, D-78604 Rietheim-Weiheim |                                  |                    |  |