



**Leistunggriffe AL**

**Werkstoff und Oberfläche:**  
Profil-Aluminium AlMgSi 0,5; gleitgeschliffen, mattiert und eloxiert in 2 Farben.  
Alternativ titanfarben pulverbeschichtet.

**Tragkraft:**  
min. 200 N.

**Hinweis:**  
Beliebige andere Griffängen auf Anfrage.

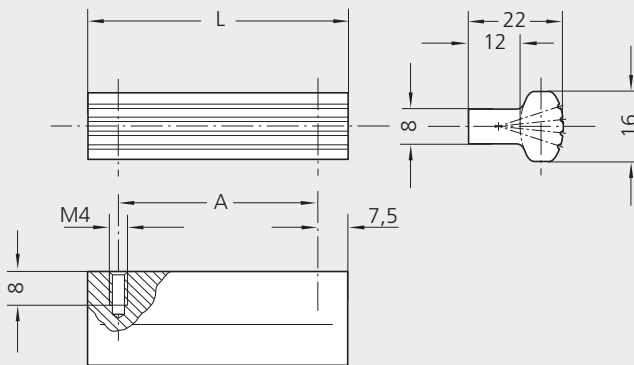
**Ledge Handles AL**

**Material and surface:**  
Profiled aluminium AlMgSi 0.5; vibration ground, matted and anodized in 2 colours.  
Alternatively titanium coloured powder coated.

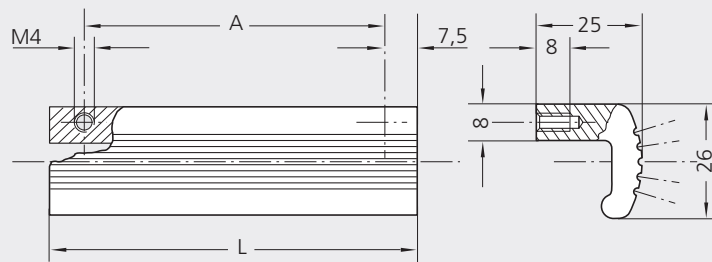
**Stress resistance:**  
min. 200 N.

**Note:**  
Any other handle lengths available upon request.

**Typ AL-16**



**Typ AL-26**



		Typ AL-16			Typ AL-26		
		naturfarben natural coloured	schwarz black	titanfarben* titanium coloured*	naturfarben natural coloured	schwarz black	titanfarben* titanium coloured*
A	L	Bestell-Nr. Order no.	Bestell-Nr. Order no.	Bestell-Nr. Order no.	Bestell-Nr. Order no.	Bestell-Nr. Order no.	Bestell-Nr. Order no.
30	45	AL-16.030.01	AL-16.030.04	AL-16.030.55	AL-26.030.01	AL-26.030.04	AL-26.030.55
45	60	AL-16.045.01	AL-16.045.04	AL-16.045.55	AL-26.045.01	AL-26.045.04	AL-26.045.55
70	85	AL-16.070.01	AL-16.070.04	AL-16.070.55	AL-26.070.01	AL-26.070.04	AL-26.070.55
90	105	AL-16.090.01	AL-16.090.04	AL-16.090.55	AL-26.090.01	AL-26.090.04	AL-26.090.55
105	120	AL-16.105.01	AL-16.105.04	AL-16.105.55	AL-26.105.01	AL-26.105.04	AL-26.105.55
120	135	AL-16.120.01	AL-16.120.04	AL-16.120.55	AL-26.120.01	AL-26.120.04	AL-26.120.55
Profil-Material, 1 m Profile material, 1 m		AL-16.001.01	AL-16.001.04	-	AL-26.001.01	AL-26.001.04	-

\* Farbausführung siehe Seite 28-29  
Colour version see page 28-29