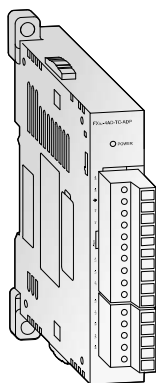
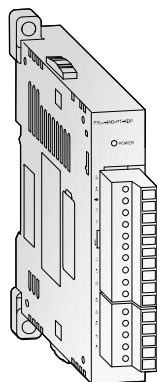


Analog temperature input adapters

FX3S
 FX3G
 FX3GC
 FX3GE
 FX3U
 FX3UC
 FX5U
 FX5UC



FX3U-4AD-TC-ADP



FX3U-4AD-PT-ADP

The analog input adapters for thermocouples are used for processing temperatures. They have 4 independent inputs for detecting signals from thermocouples of various types.

The FX3U/FX5U-4AD-PT-ADP, FX3U-4AD-PTW-ADP and FX3U-4AD-PNK-ADP analog input adapters enable the connection of up to four resistance thermometers to the PLC system.

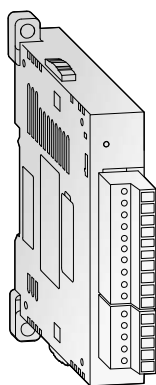
| Specifications | FX3U-4AD-TC-ADP | FX3U-4AD-PT-ADP | FX3U-4AD-PTW-ADP | FX3U-4AD-PNK-ADP | FX5-4AD-PT-ADP | FX5-4AD-TC-ADP |
|----------------------------------|--|---------------------------------|-------------------------|---|--|--|
| Applicable for | Base units FX3S, FX3G, FX3GC, FX3GE, FX3U, FX3UC | | | | Base units FX5U, FX5UC | |
| Analog inputs | 4 (thermocouples, J or K type) | | 4 (Pt100) | | 4 (Pt1000 or Ni1000) | |
| Compensated temperature range °C | -100–600 (J)/ -100–1000 (K) | -50–250 | -100–600 | -50–250 (Pt1000)/ -40–110 (Ni1000) | -200–850 (Pt100)/ -60–250 (Ni100) | -40–750 (J)/ -200–1200 (K)/ 0–1600 (R, S) |
| Digital outputs | -1000–6000 (J)/ -1000–10000 (K) | -500–2500 | -1000–6000 | -500–2500 (Pt1000)/ -400–1100 (Ni1000) | -2000–8500 (Pt100)/ -600–2500 (Ni100) | -400–7500 (J)/ -2000–12000 (K)/ 0–16000 (R, S) |
| Resolution °C | 0.3 (J)/0.4 (K) | 0.1 | 0.2–0.3 | 0.1 | | 0.1 (K, J, T), 0.1–0.3 (B, R, S) |
| Fullscale overall accuracy | ±0.5 % (fullscale) | | ±0.5–1.0 % (fullscale)* | | ±0.4–2.4 °C (fullscale)* ±2.8–7.2 °C (fullscale)* | |
| Power supply | 5 V DC 24 V DC | 15 mA (from base unit) 45 mA | | 50 mA | 10 mA 20 mA | |
| Related I/O points | 0 | | | | | |
| Weight kg | 0.1 | | | | | |
| Dimensions (WxHxD) mm | 17.6x90(106)x89.5 | | | | 17.6x90(106)x74(89.1) | |
| Order information | Art. no. | 165273 | 165272 | 214173 | 214172 | 304298 304299 |

* Dependent on the ambient temperature

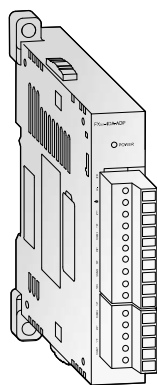
Notes: When connecting the FX3 analog adapters to a FX3G, FX3S or FX3U base unit, a communications adapter is required. A direct connection without adapter is possible if these modules are connected to a FX3GC, FX3GE or FX3UC base unit.

Analog I/O adapters

FX3S
 FX3G
 FX3GC
 FX3GE
 FX3U
 FX3UC
 FX5U
 FX5UC



FX3U-4AD-ADP



FX3U-4DA-ADP

The analog input adapter FX3U-4AD-ADP is mounted on the left side of the base unit and extends a controller of the FX3 series with 4 analog inputs.

The analog output adapter FX3U-4DA-ADP is mounted on the left side of a FX3 series base unit and provides four analog outputs.

The analog input/output module FX3U-3A-ADP provides the user with two analog inputs and one analog output.

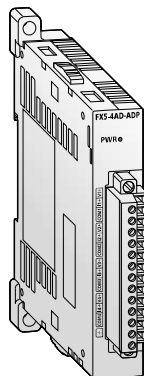
| Specifications | FX3U-4AD-ADP | FX3U-4DA-ADP | FX3U-3A-ADP |
|--------------------------|------------------------------|---------------------------------|---------------------------------|
| Analog channels | Inputs: 4 Outputs: — | Inputs: — Outputs: 4 | Inputs: 2 Outputs: 1 |
| Analog range | 0–10 V DC, 4–20 mA | | |
| Resolution | 2.5 mV/10 µA (12 bit/11 bit) | | 2.5 mV/4 µA (12 bit) |
| Overall accuracy | ±0.5 % */±1 % | | ±0.5–1 %* |
| Power supply | 5 V DC 24 V DC | 15 mA (from base unit) 40 mA | 20 mA (from base unit) 90 mA |
| Related I/O points | 0 | | |
| Weight kg | 0.1 | | |
| Dimensions (WxHxD) mm | 17.6x90(106)x89.5 | | 17.6x90x89.5 |
| Order information | Art. no. | 165241 | 165271 221549 |

* Dependent on the ambient temperature and signal quality

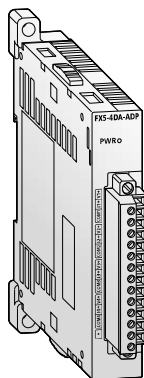
Notes: When connecting the analog adapters to a FX3G, FX3S or FX3U base unit, a communications adapter is required. A direct connection without adapter is possible if these modules are connected to a FX3GC, FX3GE or FX3UC base unit.

■ Analog I/O adapters

- FX3S FX3G FX3GC FX3GE FX3U FX3UC FX5U FX5UC



FX5-4AD-ADP



FX5-4DA-ADP

Up to four analog expansion adapters can be mounted on the left side of a FX5U CPU module or FX5UC CPU module.

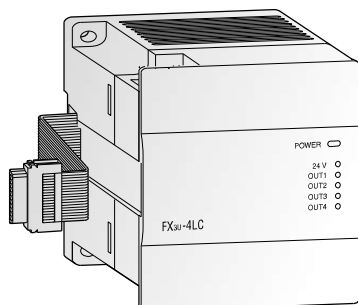
A FX5-4AD-ADP provides four analog inputs and a FX5-4DA-ADP provides four analog outputs.

| Specifications | FX5-4AD-ADP | FX5-4DA-ADP |
|--------------------------|--------------------------------------|--------------------------------|
| Analog channels | Inputs | 4 |
| | Outputs | — |
| Analog range | -10–10 V DC, -20–20 mA | -10–10 V DC, 0–20 mA |
| Resolution | 312.5 μ V/1.125 μ A (14 bit) | 250 μ V/1 μ A (14 bit) |
| Overall accuracy | $\pm 0.1\%$ */ $\pm 0.3\%$ | $\pm 0.1\%$ */ $\pm 0.2\%$ |
| Power supply | 5 V DC | 10 mA (from base unit) |
| | 24 V DC | 20 mA (from base unit) |
| Related I/O points | 0 | 160 mA (external power supply) |
| Weight | kg | 0.1 |
| Dimensions (WxHxD) | mm | 17.6x90(106)x89.1 |
| Order information | Art. no. | 283559 |
| | | 283560 |

* Dependent on the ambient temperature and signal quality

■ Temperature control modules

- FX3S FX3G FX3GC FX3GE FX3U FX3UC FX5U FX5UC



The temperature control module FX3U-4LC is equipped with four temperature input points and four transistor (open collector) output points. It is used to read temperature signals from thermocouples and Pt100 sensors, and performs PID output control.

The proportional band, the integral time and the derivative time can be easily set by auto tuning.

The channels are isolated against each other. Self-diagnosis functions are provided, and the disconnection of heaters can be detected by current detection (CT).

The temperature control module FX5-4LC supports parameter transfer/automatic refreshing. The spring clamp terminal enables compact size and enhances vibration resistance.

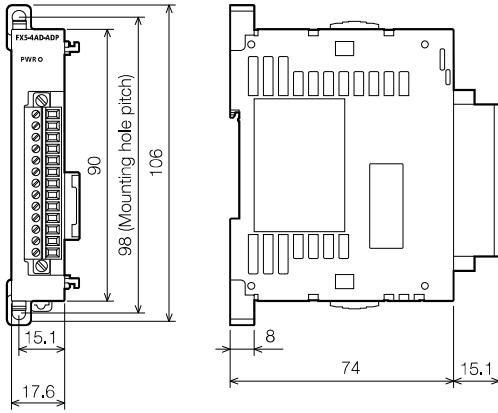
| Specifications | FX3U-4LC | FX5-4LC |
|-------------------------------|---|---|
| Applicable for | Base units FX3G, FX3GC, FX3GE, FX3U, FX3UC, FX5U, FX5UC | Base units FX5U, FX5UC |
| Analog inputs | 4 (Thermocouple and Pt100 sensors) | 4 (Thermocouple, Pt100 and Pt1000 sensors) |
| Compensated temperature range | $^{\circ}$ C | -200–2300 |
| Digital outputs | 4 NPN transistor open collector output points | |
| Resolution | $^{\circ}$ C | 0.1 or 1 |
| Fullscale overall accuracy | ± 0.3 – 0.7% (fullscale, dependent on the ambient temperature) | 0.1 $^{\circ}$ C, 1.0 $^{\circ}$ C, 0.5 μ V or 5.0 μ V Varies depending on input range of used sensors |
| Power supply | 5 V DC | 160 mA (from base unit) |
| | 24 V DC | 50 mA |
| Related I/O points | 8 | 140 mA (from base unit) |
| Dimensions (WxHxD) | mm | 90x90x86 |
| | | 60x90x83 |
| Order information | Art. no. | 232806 |
| | | 312298 |

Notes: To connect a FX3U-4LC to a FX3UC or FX3GC base unit, an adapter FX2N-CNV-IF or a power supply FX3UC-1PS-5V is required. For the connection of a FX5U-4LC to a FX5UC base unit, a FX5-CNV-IF resp. FX5-C1PS-5V is required.

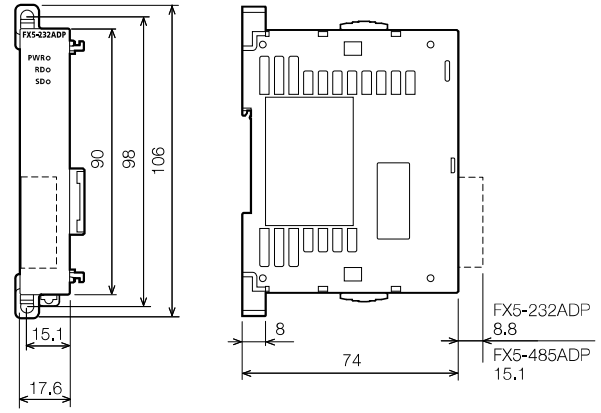
Expansion adapters FX5

MELSEC-F series MELSEC iQ-F series

FX5-4AD-ADP/FX5-4DA-ADP
FX5-4AD-PT-ADP/FX5-4AD-TC-ADP



FX5-232ADP/FX5-485ADP

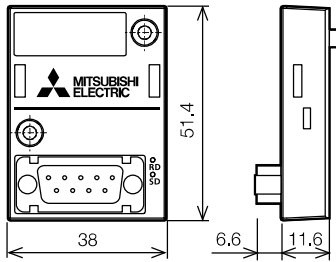


All dimensions in mm

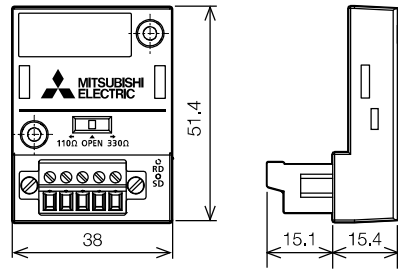
Expansion boards FX5

MELSEC-F series MELSEC iQ-F series

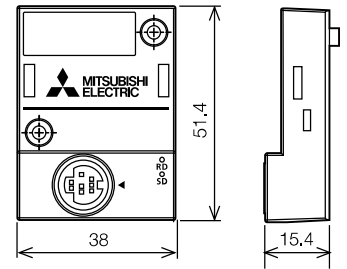
FX5-232-BD



FX5-485-BD



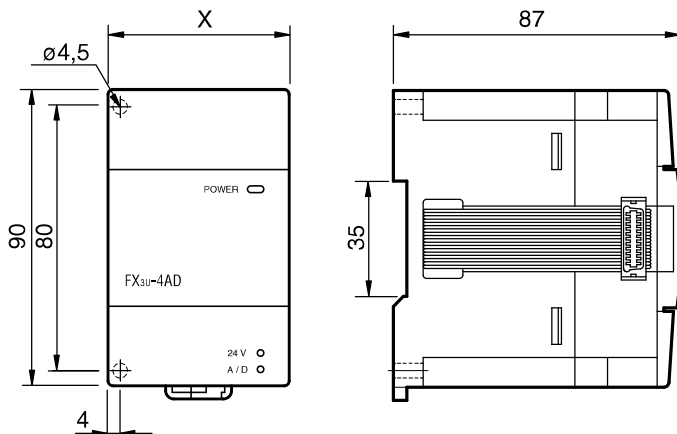
FX5-422-BD-GOT



All dimensions in mm

Special function modules FX3U/FX3UC

MELSEC-F series MELSEC iQ-F series



| Type | X |
|--------------|------|
| FX3U-2HC | 55 |
| FX3U-3A-ADP | 17.6 |
| FX3U-4DA | 55 |
| FX3U-4AD | 55 |
| FX3U-4LC | 90 |
| FX3U-CF-ADP | 45 |
| FX3U-ENET | 55 |
| FX3U-CAN | 43 |
| FX3U-20SSC-H | 55 |
| FX3U-64CCL-M | 55 |
| FX3U-64DP-M | 43 |
| FX3U-1PSU-5V | 55 |
| FX3UC-4AD | 20.2 |
| FX3UC-1PS-5V | 24.2 |
| FX3U-1PG | 43 |
| FX3U-J1939 | 43 |

All dimensions in mm