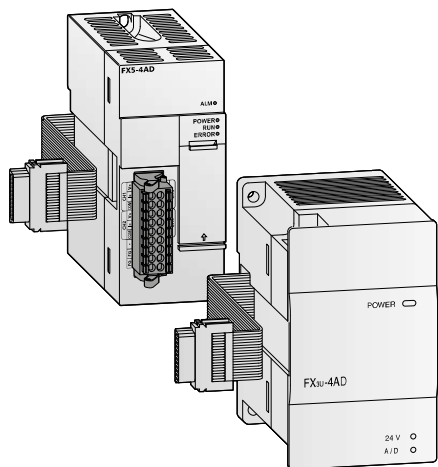


Analog input modules

FX3S FX3G FX3GC FX3GE FX3U FX3UC FX5U FX5UC



The analog input modules provide the user with 2 to 8 analog inputs.

The module converts analog process signals into digital values which are further processed by the base unit.

The actual values or mean values over several measurements may be output.

The FX5-8AD supports the logging function for up to 10,000 values per channel and the offset/gain adjustment via the programming software.

Specifications	FX2N-2AD	FX3U-4AD	FX3UC-4AD	FX2N-8AD	FX5-4AD	FX5-8AD
Applicable for	Base units FX3G/FX3GC/FX3GE/FX3U/FX3UC	Base units FX3G/FX3GC/FX3GE/FX3U/FX3UC	Base units FX3GC/FX3UC	Base units FX3G/FX3GC/FX3GE/FX3U/FX3UC	Base units FX5U/FX5UC	
Analog channels	Inputs	2	4	8	4	8
	Outputs	—				
Analog input range	0–10 V DC/ 0–5 V DC/ 0/4–20 mA	–10–10 V DC/–20–20 mA/4–20 mA			–10–10 V DC/ –20–20 mA/ 4–20 mA User range setting	–10–10 V DC/ –20–20 mA/ Temperature detector (K, J, T, B, R, S, Pt100, Ni100) ②
Resolution	Voltage	2.5 mV, 1.25 mV/ 4 μ A (12 bit)	0.32 mV (16 bit + sign)		0.63 mV (14 bit + sign)	0.3125 mV
	Current	—	1.25 μ A (15 bit + sign)		2.5 μ A (13 bit + sign)	0.625 μ A (16 bit + sign)
Fullscale overall accuracy	—	$\pm 1\%$	$\pm 0.3\text{--}1\%$ ①		$\pm 0.3\text{--}0.5\%$ ①	$\pm 0.1\text{--}0.3\%$ ①
Power supply	5 V DC	20 mA (from base unit)	110 mA (from base unit)	100 mA (from base unit)	50 mA (from base unit)	40 mA (from base unit)
	24 V DC	50 mA (from base unit)	90 mA	80 mA	—	100 mA (from external) 40 mA (from base unit)
Related I/O points	8					
Weight	kg	0.3	0.2	0.13	0.4	0.2
Dimensions (WxHxD)	mm	43x90x87	55x90x87	20.2x90x79	75x105x75	40x90x83
Order information	Art. no.	102869	169508	210090	129195	334430
					312297	

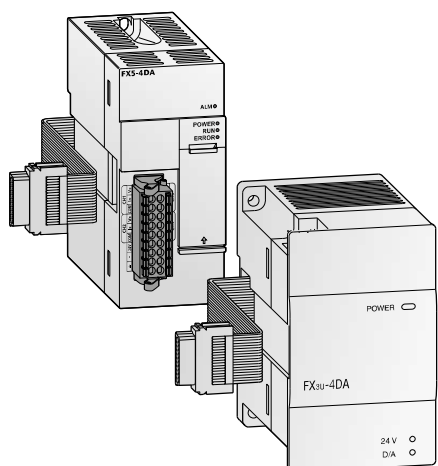
① Dependent on the ambient temperature

② Please refer to manuals for further details of specification of temperature detectors.

Notes: The FX2N-8AD can be configured to accept standard analog inputs as well as selected temperature inputs such as K, T or J type thermocouples. To connect these modules to a FX3UC or FX3GC base unit, an adapter FX2N-CNV-IF or a power supply FX3UC-1PS-5V is required. For the connection of a FX3U-4AD to a FX5U/FX5UC base unit, a bus conversion module FX5-CNV-BUSC resp. FX5-CNV-BUS is required.

Analog output modules

FX3S FX3G FX3GC FX3GE FX3U FX3UC FX5U FX5UC



The analog output modules provide the user with 2 to 4 analog outputs. The modules convert digital values from the FX3G/FX3GC/FX3GE/

FX3U/FX3UC controller to the analog signals required by the process. The module can output both current and voltage signals.

Specifications	FX2N-2DA	FX3U-4DA	FX5U-4DA
Applicable for	Base units FX3G/FX3GC/FX3GE/FX3U/FX3UC	Base units FX3G/FX3GC/FX3GE/FX3U/FX3UC/FX5U/FX5UC	Base units FX5U/FX5UC
Analog channels	Inputs	—	
	Outputs	2	4
Analog output range	0–10 V DC/0–5 V DC/4–20 mA	–10–10 V DC/0–20 mA/4–20 mA	–10–10 V DC/0–20 mA/4–20 mA User range setting
Resolution	Voltage	2.5 mV (12 bit)	0.32 mV (16 bit + sign)
	Current	4 μ A (12 bit)	0.63 μ A (15 bit)
Fullscale overall accuracy	$\pm 1\%$	$\pm 0.3\text{--}0.5\%$ *	$\pm 0.1\text{--}0.3\%$ *
Power supply	5 V DC	30 mA (from base unit)	—
	24 V DC	85 mA (from base unit)	160 mA
Related I/O points	8		
Weight	kg	0.3	0.2
Dimensions (WxHxD)	mm	43x90x87	55x90x87
Order information	Art. no.	102868	169509
			325715

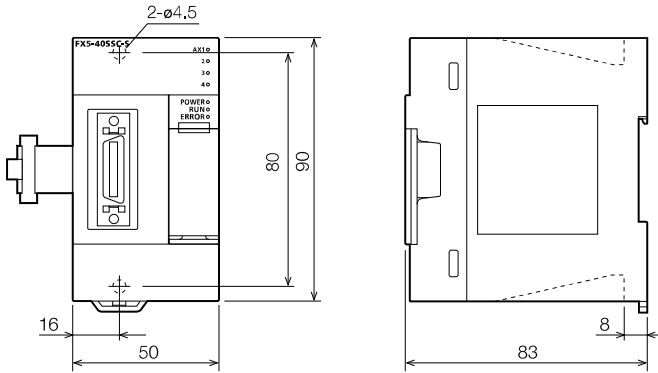
* Dependent on the ambient temperature

Notes: To connect these modules to a FX3UC or FX3GC base unit, an adapter FX2N-CNV-IF or a power supply FX3UC-1PS-5V is required. For the connection of a FX3U-4DA to a FX5U/FX5UC base unit, a bus conversion module FX5-CNV-BUSC resp. FX5-CNV-BUS is required.

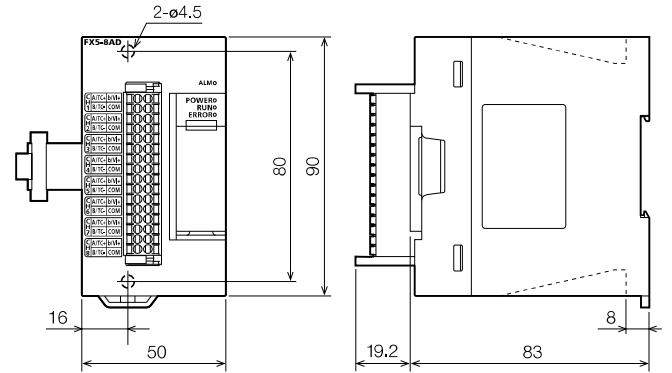
Intelligent function modules FX5

MELSEC-F series MELSEC iQ-F series

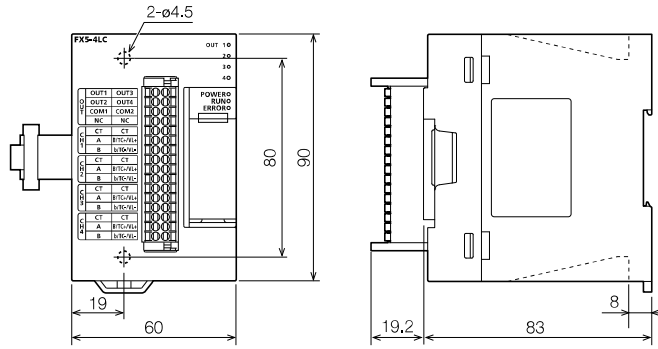
FX5-40SSC-S/FX5-80SSC-S



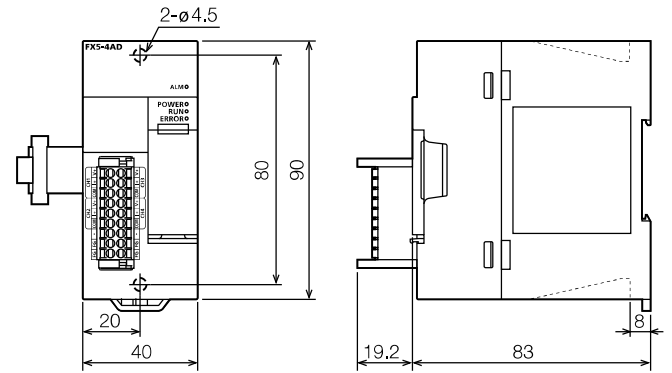
FX5-8AD



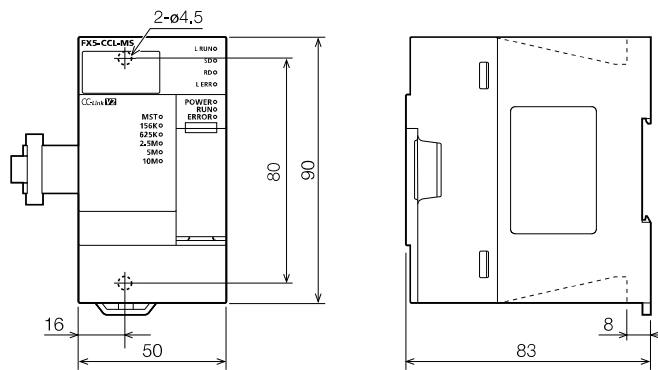
FX5-4LC



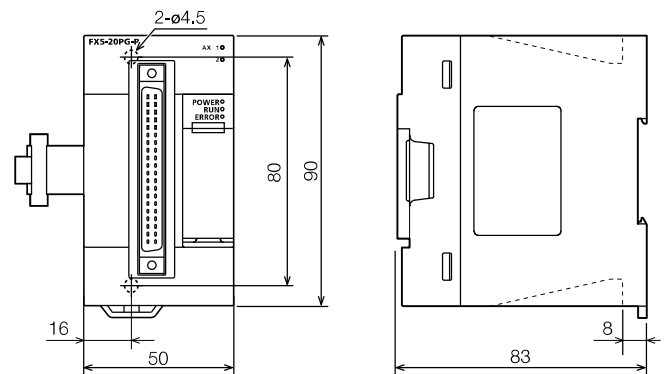
FX54AD, FX5-4DA



FX5-CCL-MS



FX5-20PG-P



All dimensions in mm