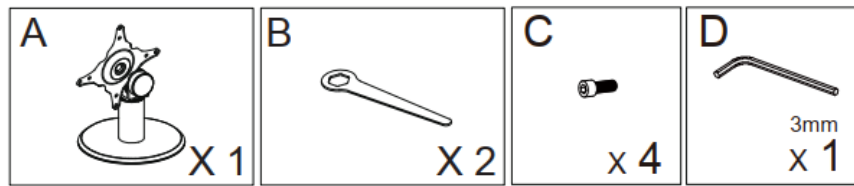
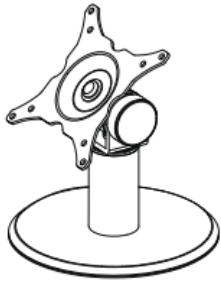
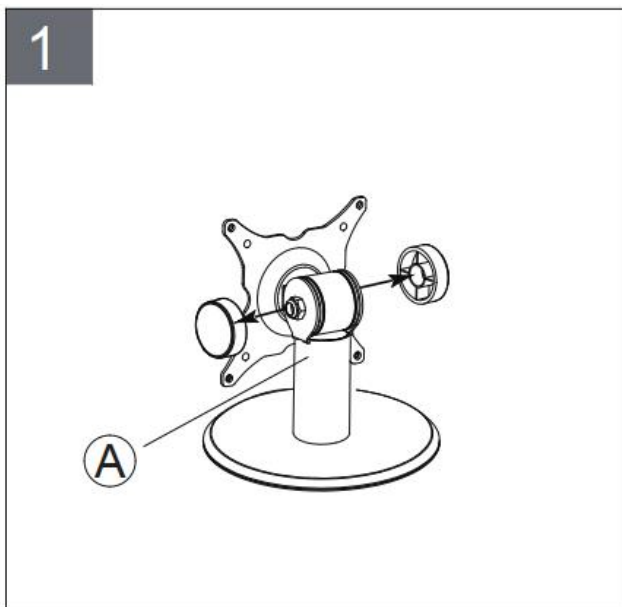


# Instruction manual: DS-10



## Step 1:



## Step 2:

