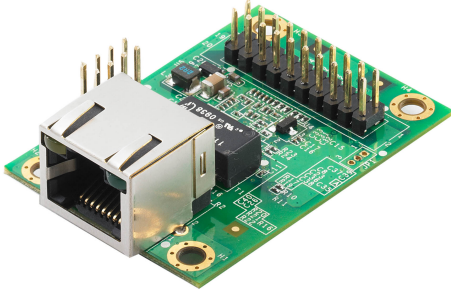


MiiNePort E3 Series

10/100 Mbps embedded serial device servers



Features and Benefits

- IEEE 802.3af compliant PoE passthrough
- Use Moxa's high-quality and reliable second-generation MiiNe SoC
- Variety of operation modes fulfill specific application requirements
- Green design with extremely low power consumption
- MiiNePort NetEZ technology makes integration incredibly easy
- Highly compact embedded device module

Certifications



Introduction

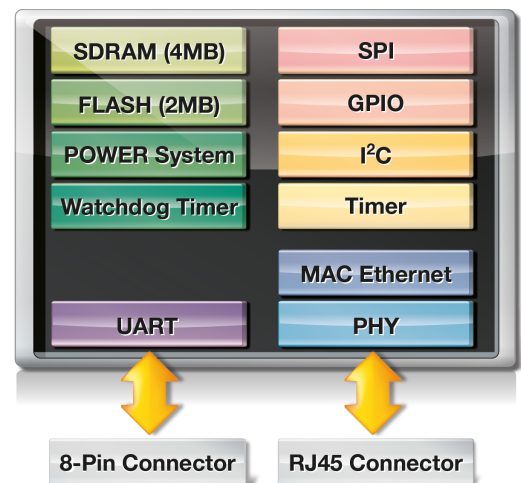
Moxa's MiiNePort E3 Series embedded device servers are designed for manufacturers who want to add sophisticated network connectivity to their serial devices with minimal integration effort. The MiiNePort E3 is empowered by the MiiNe, Moxa's second-generation SoC, which supports 10/100 Mbps Ethernet, up to 921.6 kbps serial baudrate, a versatile selection of ready-to-use operation modes, and requires only a small amount of power. By using Moxa's innovative NetEZ technology, the MiiNePort E3 can be used to convert any device with a standard serial interface to an Ethernet-enabled device in no time. In addition, the MiiNePort E3 is a compact embedded device server with an RJ45 connector, making it easy to fit into virtually any existing serial device.

Moxa's Second-Generation SoC

The MiiNe was created to provide manufacturers with a competitive embedded serial-to-Ethernet solution. The MiiNePort E3, which uses the MiiNe for its SoC, is a compact embedded device server that has the lowest power consumption among similar products. The MiiNe has the following features:

- Designed for serial-to-Ethernet applications
- Uses an Arm core
- Uses Moxa's own advanced UART technology
- 2 MB Flash and 4 MB SDRAM memory built in

MOXA MiiNe



Specifications

Embedded System

CPU	32-bit Arm Core
Memory	
Flash	2 MB
SDRAM	4 MB

Input/Output Interface

Configurable DIO Channels (by software)	4
---	---

Ethernet Interface

10/100BaseT(X) Ports, Auto MDI/MDI-X	4-pin pin header
Magnetic Isolation Protection	1.5 kV (built-in)
PoE Pass-through	IEEE 802.3af for PoE

Ethernet Software Features

Configuration Options	Web Console (HTTP), Windows Utility
Management	ARP, BOOTP, Device Search Utility (DSU), DHCP Client, IPv4, SMTP, SNMPv1, TCP/IP, Telnet, TFTP, UDP, ICMP
Windows Real COM Drivers	Windows 95/98/ME/NT/2000, Windows XP/2003/Vista/2008/7/8/8.1/10 (x86/x64), Windows 2008 R2/2012/2012 R2 (x64), Windows Embedded CE 5.0/6.0, Windows XP Embedded
Linux Real TTY Drivers	Kernel version: 2.4.x, 2.6.x, 3.x, 4.x
Fixed TTY Drivers	SCO UNIX, SCO OpenServer, UnixWare 7, QNX 4.25, QNX 6, Solaris 10, FreeBSD, AIX 5.x, HP-UX 11i, Mac OS X
Android API	Android 3.1.x and later

Serial Interface

No. of Ports	1
Serial Standards	TTL
Operation Modes	Real COM mode, TCP Server mode, TCP Client mode, UDP mode, RFC2217 mode, Ethernet Modem mode
Baudrate	MiiNePort E3 Series: 50 bps to 230.4 kbps MiiNePort E3-H Series: 50 bps to 921.6 kbps
Data Bits	5, 6, 7, 8
Stop Bits	1, 1.5, 2
Parity	None, Even, Odd, Space, Mark
Flow Control	None, RTS/CTS, DTR/DSR, XON/XOFF

Serial Signals

TTL	TxD, RxD, RTS, CTS, DTR, DSR, DCD, RST (reset circuit), GND
-----	---

NetEZ Technology

NetEZ Functions	EZPower, EZPage, SCM (Serial Command Mode), AutoCFG
-----------------	---

Power Parameters

Input Current	157 mA @ 3.3 VDC
Input Voltage	3.3 to 5 VDC

Physical Characteristics

Dimensions	MiiNePort E3/E3-H Series: 35 x 52.5 x 18 mm (1.38 x 2.07 x 0.71 in)
Weight	MiiNePort E3/E3-H Series: 12 g (0.03 lb) MiiNePort E3-ST/E3-H-ST: 89 g (0.20 lb)

Environmental Limits

Operating Temperature	Standard models: 0 to 55°C (32 to 131°F) Wide Temp. models: -40 to 85°C (-40 to 185°F)
Storage Temperature (package included)	-40 to 60°C (-40 to 140°F)
Ambient Relative Humidity	5 to 95% (non-condensing)

Standards and Certifications

EMC	EN 55032/24
EMI	CISPR 32, FCC Part 15B Class B
EMS	IEC 61000-4-2 ESD: Contact: 4 kV; Air: 8 kV IEC 61000-4-3 RS: 80 MHz to 1 GHz: 3 V/m IEC 61000-4-4 EFT: Power: 1 kV; Signal: 0.5 kV IEC 61000-4-5 Surge: Power: 2 kV IEC 61000-4-6 CS: 150 kHz to 80 MHz: 3 V/m; Signal: 3 V/m IEC 61000-4-8 PFMF IEC 61000-4-11 DIPs
Environmental Testing	IEC 60068-2-1 IEC 60068-2-3
Shock	IEC 60068-2-27
Vibration	IEC 60068-2-6
Freefall	IEC 60068-2-6

Declaration

Green Product	RoHS, CRoHS, WEEE
---------------	-------------------

MTBF

Time	5,696,350 hrs
Standards	Telcordia SR332

Warranty

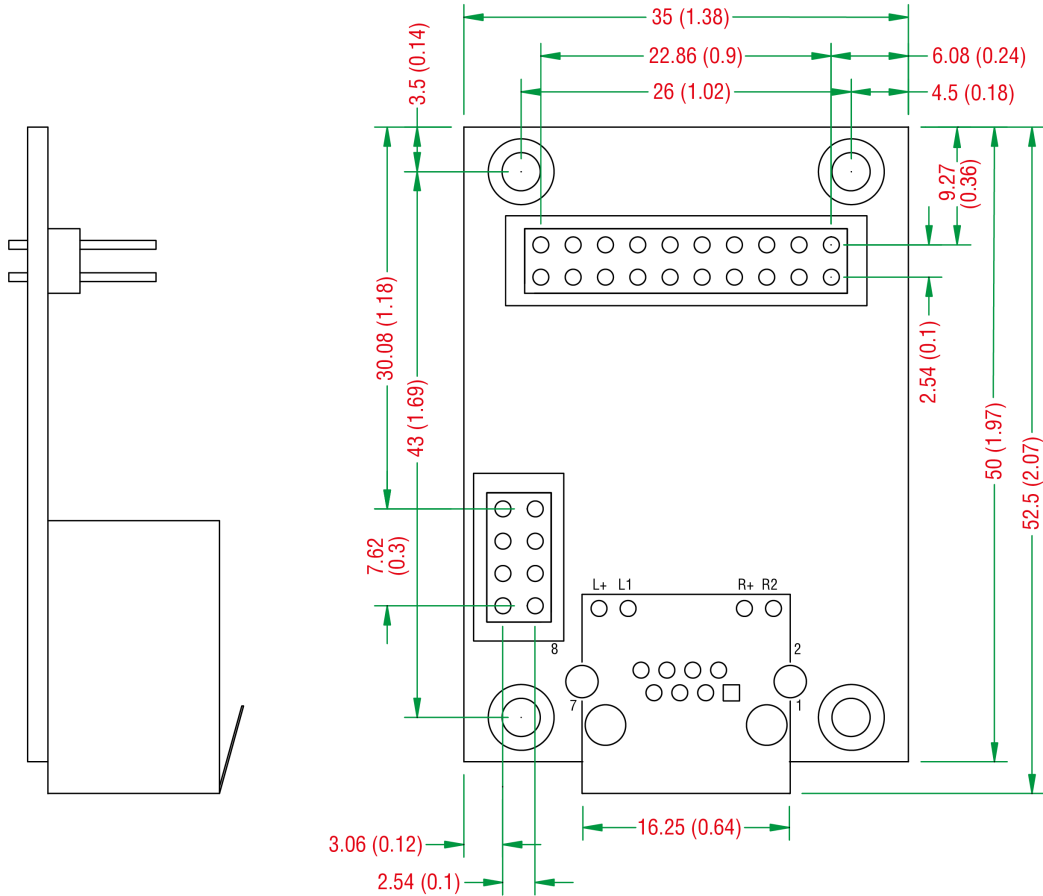
Warranty Period	5 years
Details	See www.moxa.com/warranty

Package Contents

Device	1 x MiiNePort E3 Series device server
Cable	1 x Ethernet, crossover (-ST models) 1 x null modem serial (-ST models)

Dimensions

Unit: mm (inch)



Ordering Information

Model Name	No. of Serial Ports	Supported Baudrates	Operating Temp.	With MiiNePort E3	With Evaluation Board
MiiNePort E3	1	50 bps to 230.4 kbps	0 to 55°C	✓	-
MiiNePort E3-H	1	50 bps to 921.6 kbps	0 to 55°C	✓	-
MiiNePort E3-T	1	50 bps to 230.4 kbps	-40 to 85°C	✓	-
MiiNePort E3-H-T	1	50 bps to 921.6 kbps	-40 to 85°C	✓	-
MiiNePort E3-ST	1	50 bps to 230.4 kbps	0 to 55°C	✓	✓
MiiNePort E3-H-ST	1	50 bps to 921.6 kbps	0 to 55°C	✓	✓

© Moxa Inc. All rights reserved. Updated Jan 22, 2019.

This document and any portion thereof may not be reproduced or used in any manner whatsoever without the express written permission of Moxa Inc. Product specifications subject to change without notice. Visit our website for the most up-to-date product information.